

# Aluminum Railing Technologies Ltd.

*APPROVAL STAMPS*

*TEST DRAWINGS*

LAB: CAN-BEST LABORATORIES

LOCATION: 38 Regan Road, Unit 4, Brampton, Ontario, Canada, L7A 1C6

TYPES: RAILING TYPE - 7C

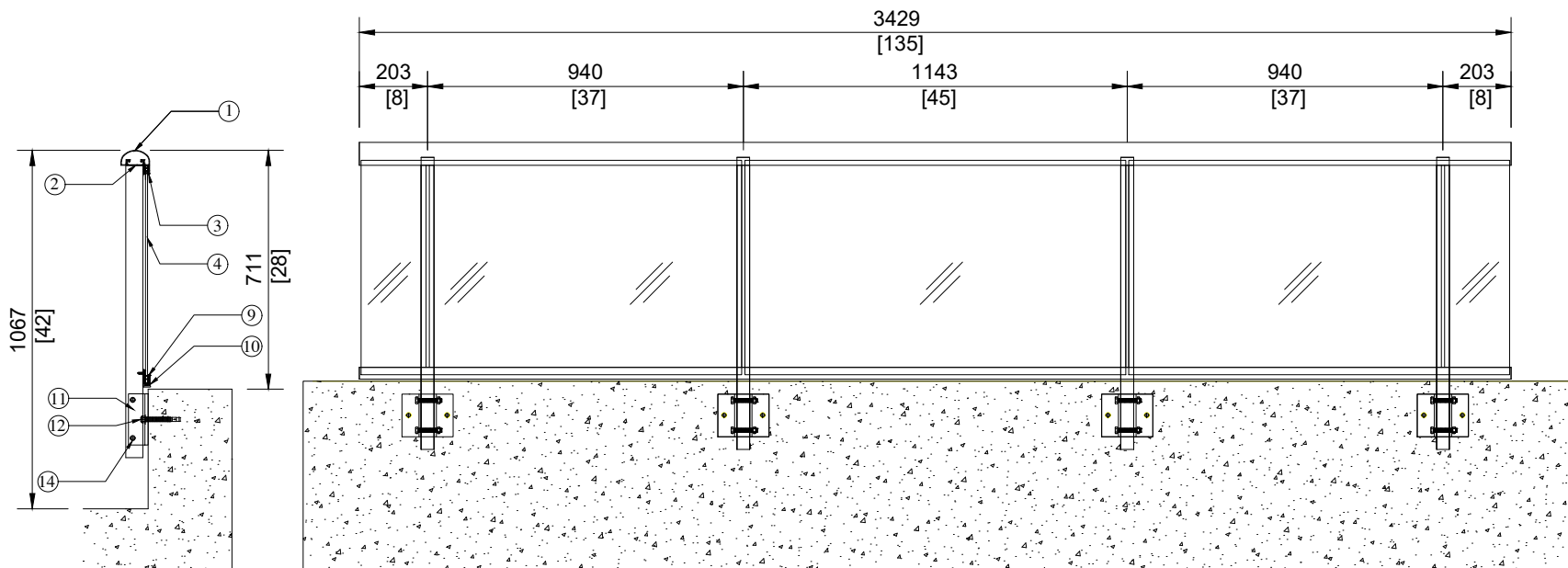
NOTES: \_\_\_\_\_

TEST DRAWING SET DATE: June 04, 2021

66 RIVALDA ROAD, TORONTO, ONTARIO, CANADA M9M 2M3  
E-MAIL: [falbo@on.aibn.com](mailto:falbo@on.aibn.com)

Tel: (416) 740 - 2328 , 1(800) 538 - 7030  
Fax: (416) 740 - 0720

ITEM NO.	DESCRIPTION	PART NUMBER
1	TOP CAP	AS-36124
2	TOP RAIL	AS-36087
3	TOP GASKET	V-822
4	6MM CLEAR TEMPERED GLASS	
5	POST	AH-72863
9	BOTTOM GASKET	V-823
10	BOTTOM GLASS CHANEL	AS-72864
11	SIDE ASSEMBLED SHOE	
12	SS 1/2"Ø x 4 1/2" EXPANSION ANCHORS	STAINLESS STEEL
14	SS 3/8"Ø x 2 1/2" TRU BOLT	Flat washer, lock washer, nut



DRAWN BY: SR	DATE: June 04, 2021
CHECKED BY: EF	SCALE: NTS.

PROJECT:  
RAILING TEST

DRAWING TITLE:  
TYPE 7C  
BALCONY RAILING

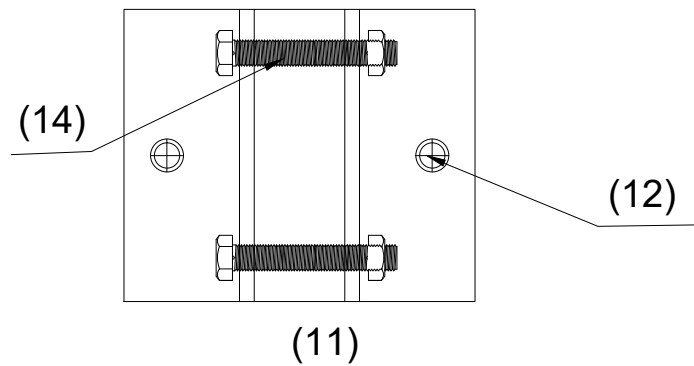
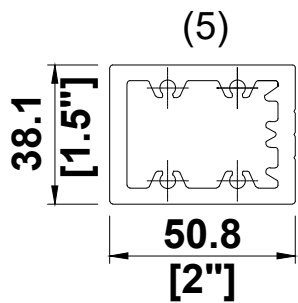
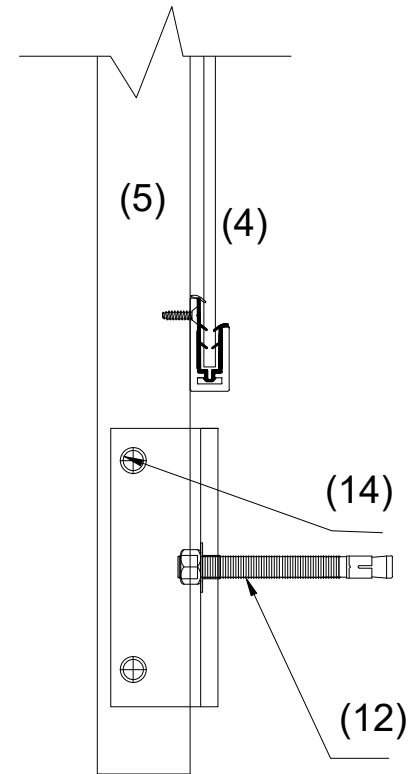
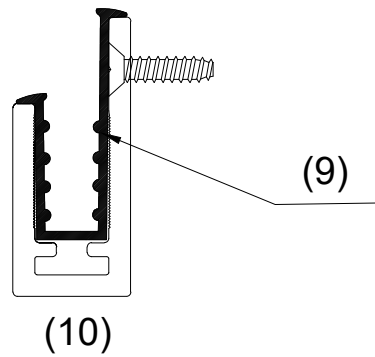
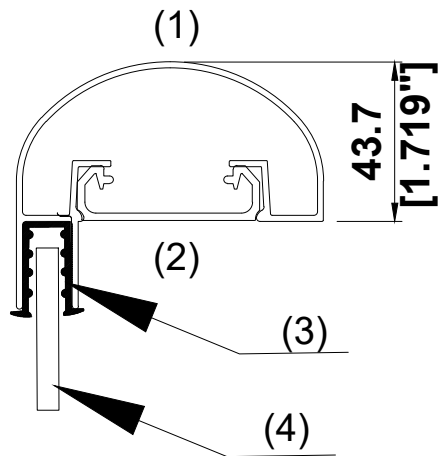



**ART**

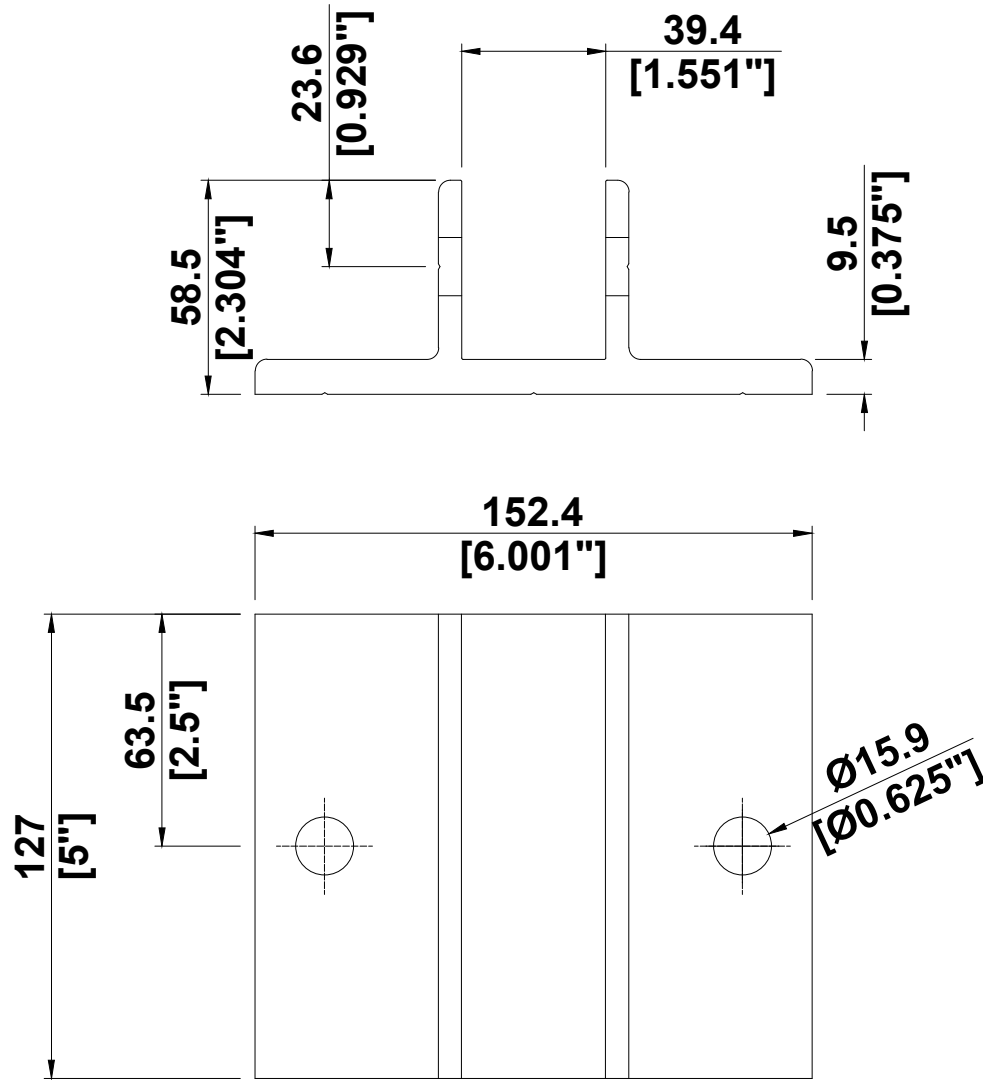
aluminum railing technologies Ltd.

66 Rivalda Rd, Toronto, Ontario M9M 2M3  
Tel: (416) 740-9304 Fax: (416) 740-0720  
Email:

DRAWING NO:  
**RT-01**



DRAWN BY: SR	DATE: June 04, 2021
CHECKED BY: EF	SCALE: NTS.
PROJECT: RAILING TEST	
DRAWING TITLE: TYPE 7C BALCONY RAILING	
 <b>ART</b> aluminum railing technologies Ltd. 66 Rivalda Rd, Toronto, Ontario M9M 2M3 Tel: (416) 740-9304 Fax: (416) 740-0720 Email:	
DRAWING NO: <b>RT-02</b>	



DRAWN BY: SR	DATE: June 04, 2021
-----------------	------------------------

CHECKED BY: EF	SCALE: NTS.
-------------------	----------------

PROJECT:  
RAILING TEST

DRAWING TITLE:  
TYPE 7C  
BALCONY RAILING

**art**  
**A R T**  
aluminum railing technologies Ltd.  
66 Rivalda Rd, Toronto, Ontario M9M 2M3  
Tel: (416) 740-9304 Fax: (416) 740-0720  
Email :

DRAWING NO:  
**RT-03**